



TA5 **TA6** **TA7**
TA5S **TA6S**

Specification

Payload	5000 kg / 6000 kg / 7000 kg
Gross Engine Power	62.5 kW (84 hp)
Max Skip Capacity	2910 - 3850 Litres

Features

- Large heaped skip capacities.
- “Rental Tough” designs and fabrications to keep you working in the toughest of conditions.
- Thick steel skip base plate with reinforced box sections for high strength and longevity.
- Exceptional service access and ease of maintenance built into every machine.
- High ground clearance, low centre of gravity for superb stability and site accessibility.
- Powerful, reliable and economical Cummins engines.
- Power Tip (PT) for forwards tip applications. Power Swivel (PS) enables effective placement of load to either side - useful for trench filling or small sites.

Specifications

Performance					
	TA5	TA5S	TA6	TA6S	TA7
Payload (kg)	5000	5000	6000	6000	7000
Unladen Weight (kg)	3880	4000	4110	4270	4170
Skip Capacity - Water (ltr)	1620	1700	1950	1850	2100
- Struck (ltr)	2450	2300	2740	2750	3020
- Heaped (ltr)	3100	2910	3780	3520	3850
Engine	Perkins 1104D-44T				
- Net Power - kW (hp)	62.5 (84hp) at 2200rpm				
- Displacement	4.4 litres (4400 cc)				
- Maximum Torque	353 Nm at 1400rpm				
Tyre Size	12.0x18x12ply		405/70-20-14PR		
Drive	4/4 Powershuttle - permanent 4WD				
Max Travel Speed - mph (kph)	15.5 (25.0)	15.5 (25.0)	16.8 (27.0.)	16.8 (27.0.)	16.8 (27.0.)
Gradeability	25 %	25 %	25 %	25 %	25 %
Fuel Tank Capacity	67 Litres	67 Litres	67 Litres	67 Litres	67 Litres
Hydraulic Tank Capacity	50 Litres	50 Litres	50 Litres	50 Litres	50 Litres

Hydraulic System (Gear Pump)	
	TA5 / TA5S / TA6 / TA6S / TA7
Flow rate	60 l/min
Operating Pressure	172 bar

Braking System	
	TA5 / TA5S / TA6 / TA6S / TA7
Working Brake	Foot brake - oil immersed discs on front/rear
Parking Brake	Ratchet parking brake - dry disc (gearbox)

Electrical System	
	TA5 / TA5S / TA6 / TA6S / TA7
Voltage	12 V
Battery	90 Ah
Alternator	95 A

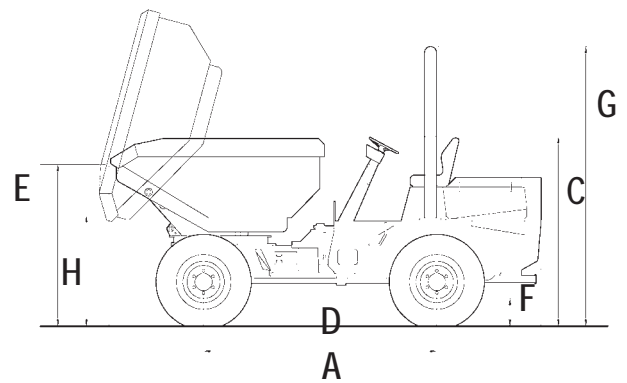
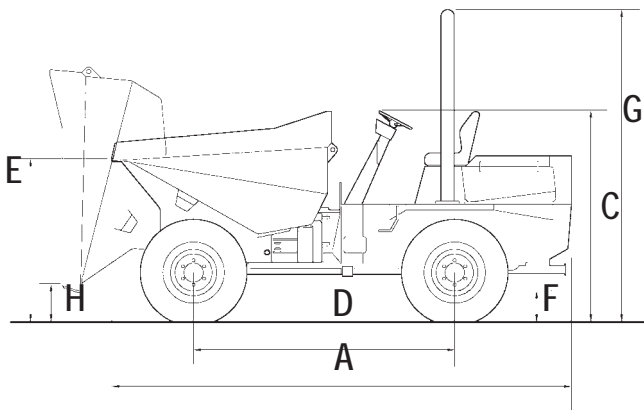
TA5
TA5S

TA6
TA6S

TA7

Dimensions

B = Overall Width (not shown)



Dimensions (mm)

		TA5	TA5S	TA6	TA6S	TA7
A	Total Length	4270	4550	4320	4590	4320
B	Total Width (not shown)	2250	2075	2350	2095	2500
C	Height to Top of Steering Wheel	2070	2070	2160	2160	2160
D	Wheelbase	2450	2450	2450	2450	2450
E	Height to Front Lip of Skip (untipped)	1500	1690	1630	1760	1630
F	Ground Clearance	308	308	380	380	380
G	Height to Top of ROPS (raised)	2835	2835	2910	2910	2910
H	Height to Front Lip of Skip (tipped)	365	1060	360	1100	360
	Turning Radius to Outside of Skip	5400	5400	5600	5600	5600
	Steering Angle	+/- 30°	+/- 30°	+/- 30°	+/- 30°	+/- 30°
	Oscillation	+/- 10.5°	+/- 10.5°	+/- 10.5°	+/- 10.5°	+/- 10.5°
	Tipping Type	Forward	Swing	Forward	Swing	Forward

Standard Equipment & Options

Standard Equipment
Folding ROPS Frame
Reversing Alarm
Flashing Beacon
Towing Bracket

Optional Equipment
Site Lights
Road Lights (RTA)
Rear View Mirror
Special Paint
KOSRAN Anti-theft immobiliser
Data Tags
CESAR Datatag Security

Dealer

Effective Date: 01 January 2008. Product specifications and prices are subject to change without notice or obligation. The photographs and/or drawings in this document are for illustrative purposes only. Refer to the appropriate Operator's Manual for instructions on the proper use of this equipment. Failure to follow the appropriate Operator's Manual when using our equipment or to otherwise act irresponsibly may result in serious injury or death. The only warranty applicable to our equipment is the standard written warranty applicable to the particular product and sale and Terex makes no other warranty, express or implied. Products and services listed may be trademarks, service marks or trade-names of Terex Corporation and/or its subsidiaries in the USA and other countries. All rights are reserved. Terex® is a registered trademark of Terex Corporation in the USA and many other countries. © 2010 Terex Corporation. ♻️ Printed on material using 55% recycled fibre from both pre and post-consumer sources, together with 45% virgin ECF fibre from sustainable forests.

TEREX518UK